

# Quantum-Safe Networks

GÉANT Quantum solutions infoshare

June 21<sup>th</sup> 2023

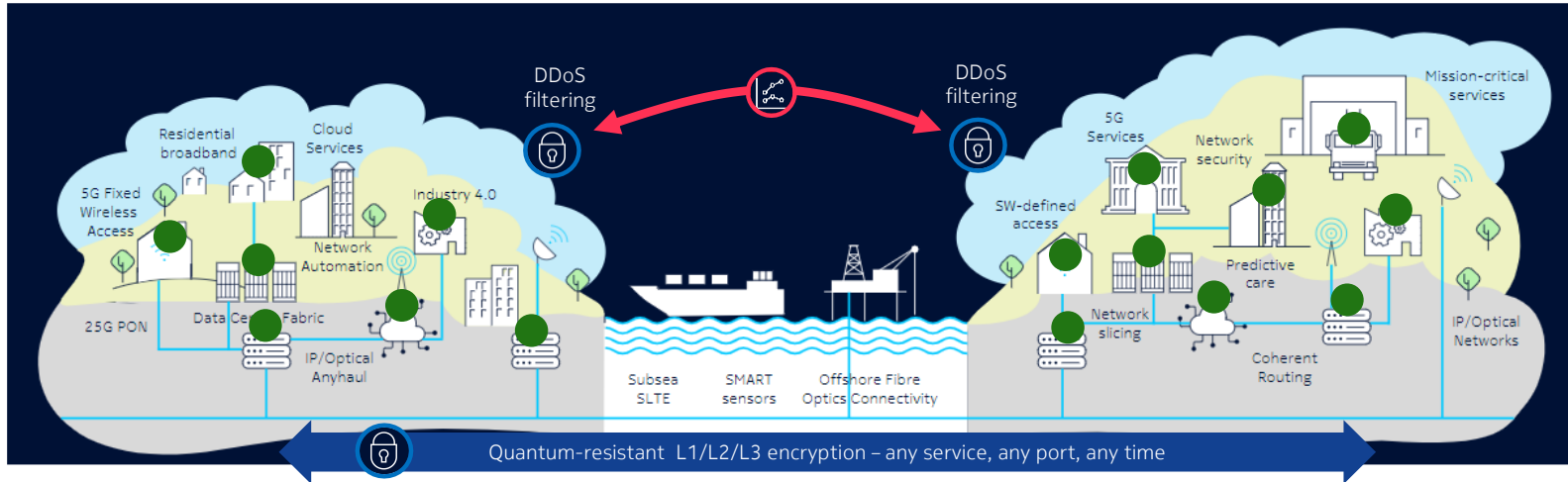
Yannick Gautier - Nokia NI EU ON BC

The Nokia logo is displayed in white, uppercase letters. It is positioned within a large, stylized white arrow shape that points to the left, set against a background that transitions from dark red at the top to orange at the bottom.

# At Nokia, we put security at the center of everything we do



- |   |  |   |   |
|---|--|---|---|
| <ul style="list-style-type: none"> <li>• Global security governance</li> <li>• Strong security operations and business continuity</li> <li>• Secure supply chain</li> </ul> | <ul style="list-style-type: none"> <li>• Secure development processes</li> <li>• Secure products (software and hardware)</li> <li>• <i>Secure network operations*</i></li> </ul> | <ul style="list-style-type: none"> <li>• Line-rate DDoS filtering</li> <li>• Line-rate, quantum resistant L1/L2/L3 encryption</li> <li>• Security gateways &amp; firewalls</li> </ul> | <ul style="list-style-type: none"> <li>• Big data DDoS analytics and auto-mitigation</li> <li>• <i>Cybersecurity Dome*</i></li> </ul> |
|---|--|---|---|



Nokia is the ‘**vendor of choice**’ when it comes to selecting the telecom equipment vendor with the **lowest risk profile** as defined by the ‘strategic measures’ in the EU’s 5G Risk Mitigation Toolbox

\* CNS Security Portfolio

# Data-in flight protection : The locks and the keys

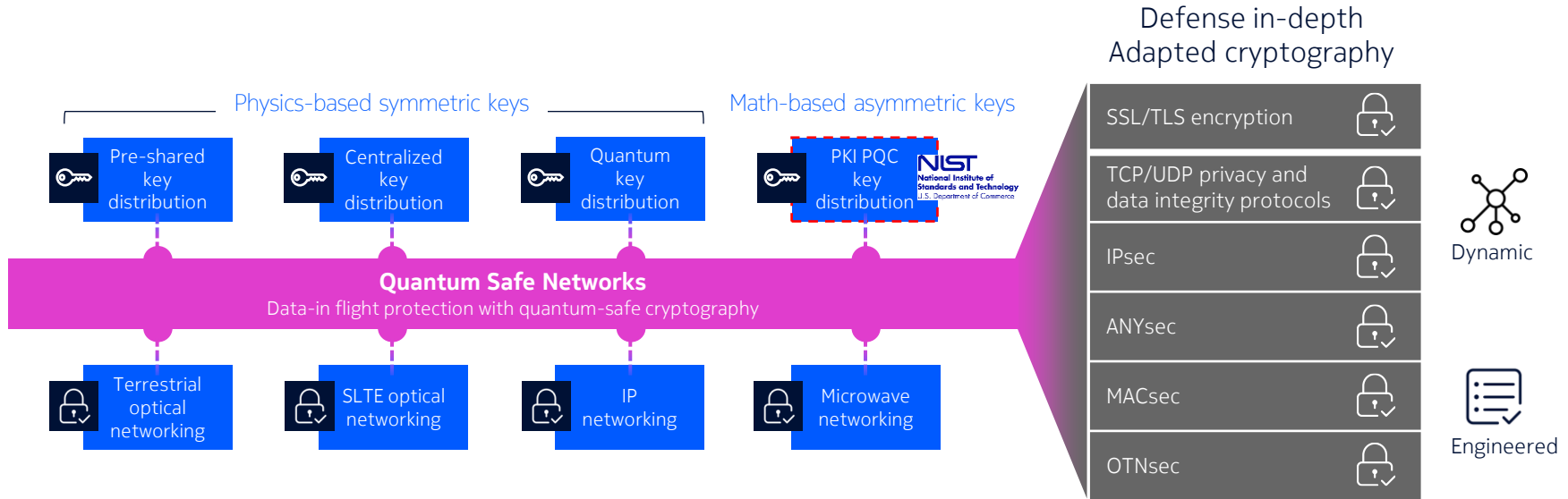
Essential components for quantum-safe communication



The combination of locks and keys assure quantum-safe networking

# Nokia Quantum-Safe Networks

A multi-domain, terrestrial and subsea transport solution for data in-flight protection

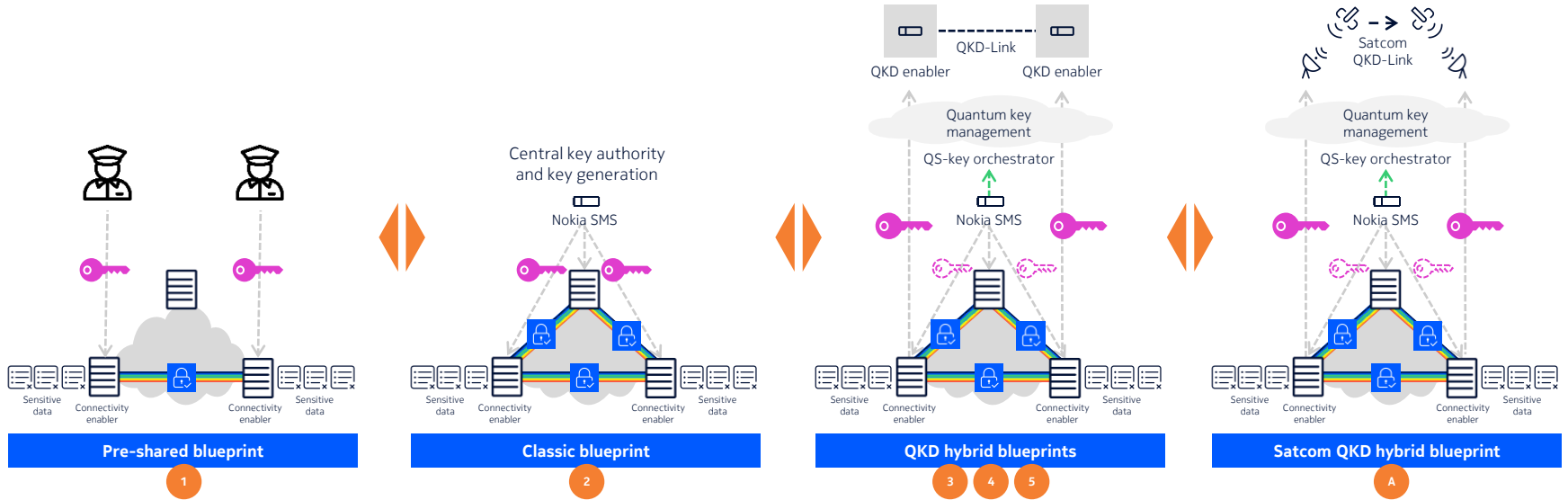


Complementary today and tomorrow Quantum-Safe cryptography creating the backbone of Quantum-Safe communication

# Initial blueprints to adapt to your network realities

Allowing for a common outcome: Quantum-Safe Networks

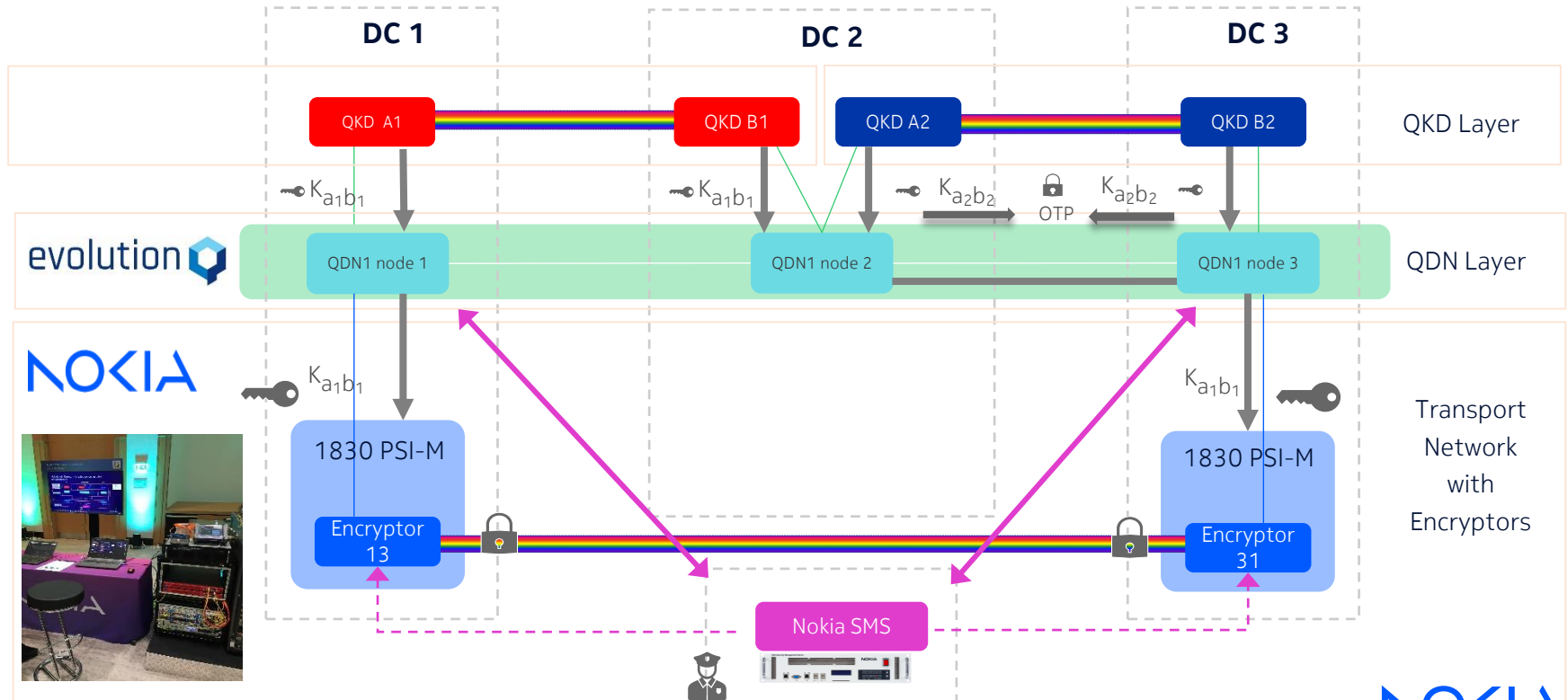
Your quantum-safe roadmap: Begin today and adapt to tomorrow's innovations



Cryptography today and tomorrow – A journey in the making now!

# Nokia QSN for HellasQCI

## Orchestrated QKD Key delivery - stepwise PoC



# Ready to trigger your Quantum-Readiness Roadmap?

## The time is now!

As quantum computers become increasingly powerful, the risk of cyberattacks grows. The time is now to start your Quantum-Safe journey and safeguarding your sensitive data against the potential threat of quantum computing.

## Interact with us now!

Building rich global ecosystems with our customers and partners and sharing expertise to drive development of future technology.

Empowering you with  
unshakable trust for  
your critical networks

## Deploy now!

Our solution is ready. It address the urgent need for Quantum-Safe security, but it also has the flexibility to gracefully evolve with tomorrow's innovation. By deploying our solution now, organizations can ensure their infrastructure is secure and future-proofed.

## Engaging innovation now!

Engage innovation now with Quantum-Safe Networks. Future-proof your critical infrastructure with our deployable solution that evolves with tomorrow's advancements.



NOKIA